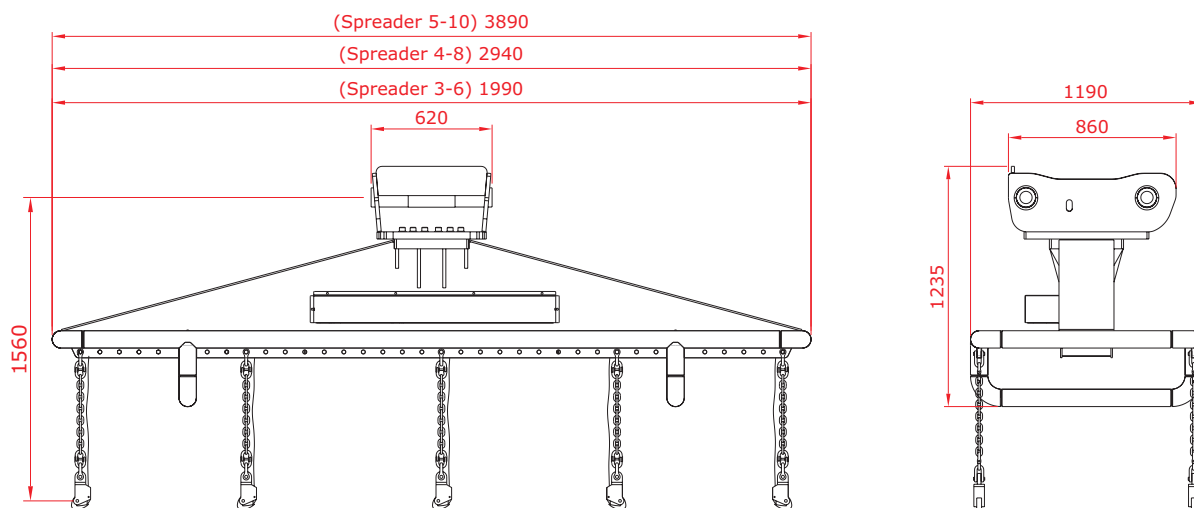


Pulp Bale Spreader



Mantsinen pulp bale spreader is available in three, four, five and six bale versions, which makes it adaptable to different machine sizes. The automatic release hooks reduce manual labour to minimum and increase safety. The spreader works hydraulically, it needs no pressurized air from the crane. When equipped with an adapter for Mantsinen quick connecting systems the spreader can be changed in ten minutes.





Type	Tare MC620	Tare MC620L	SWL
Bale Spreader 5-10 620	1050 kg	1000 kg	10 x 1000 kg
Bale Spreader 4-8 620	750 kg	700 kg	8 x 1000 kg
Bale Spreader 3-6 620	660 kg	610 kg	6 x 1000 kg



Mantsinen Group Ltd Oy
 Välikankaantie 3
 FI-80400 Ylämylly
 FINLAND

Tel +358 20 755 1230
 Fax +358 13 252 5555
www.mantsinen.com

Your dealer: