

## Round wood grab



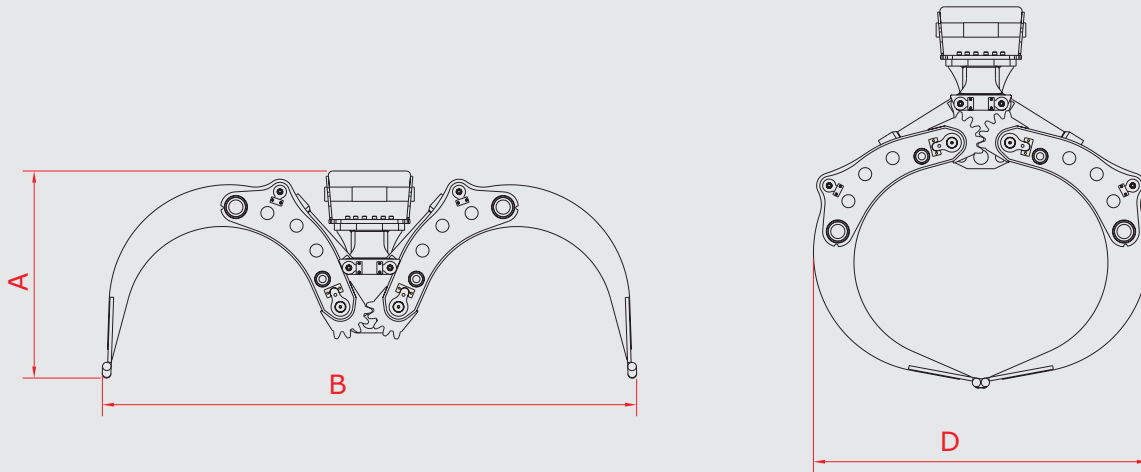
Mantsinen round wood grab has been specially designed for ship loading and unloading. Thanks to the geometry and the wide opening of the grab also sides of the hold can be reached optimally. A special attention has been paid to penetrating the pile. The form of the grab makes release of wood very controllable and at the same time helps prevent damages to the wood.

The size of the grab is 1.6m<sup>2</sup> or 2.2 m<sup>2</sup> and it is best suited to hydraulic material handlers from 90 to 200 tonne. The grab is available either with a fixed rotator or with a Mantsinen quick connecting system.



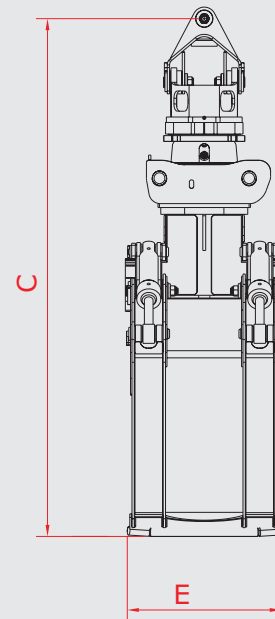
# Mantsinen round wood grab

## Technical Specification



	1.6 m <sup>2</sup>	2.2 m <sup>2</sup>
Weight	2600 kg	2850 kg
SWL	8500 kg	8500 kg
Dimension (A)	1450 mm	1435 mm
Dimension (B)	3190 mm	3700 mm
Dimension (C)	3345 mm	3580 mm
Dimension (D)	2230 mm	2320 mm
Dimension (E)	1050 mm	1065 mm

Weight and dimensions are exclusive of any rotator, except dimension C.



**Mantsinen Group Ltd Oy**  
Välikankaantie 3  
FI-80400 Ylämylly  
FINLAND

Tel +358 20 755 1230  
Fax +358 13 252 5555  
[www.mantsinen.com](http://www.mantsinen.com)

Your dealer: