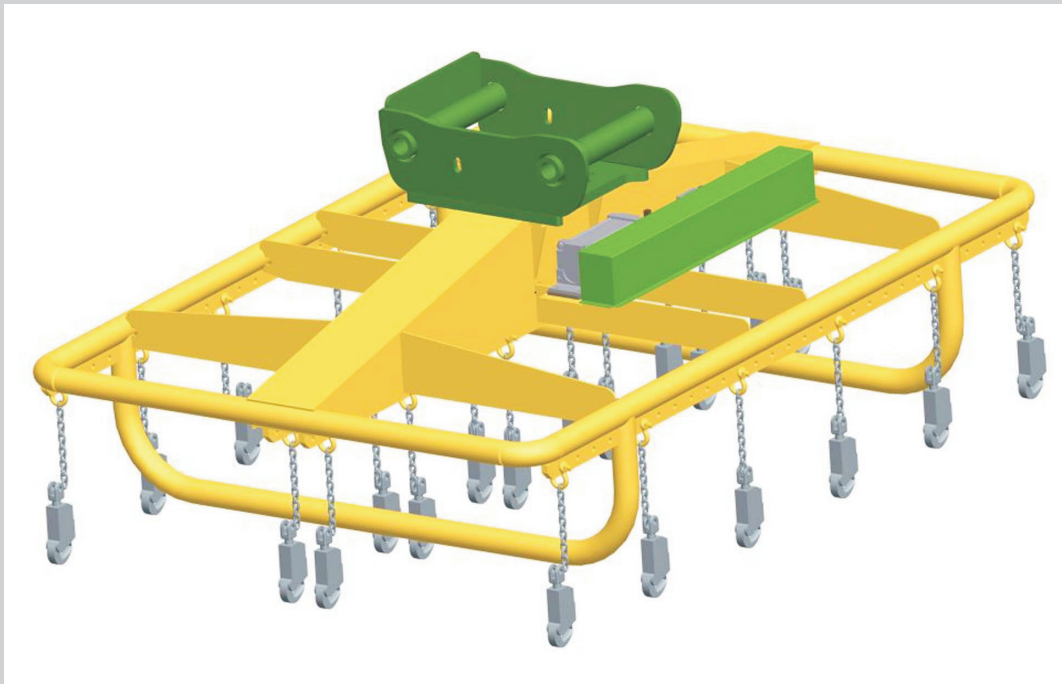
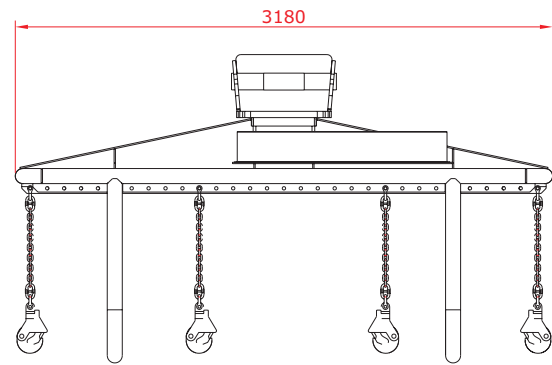
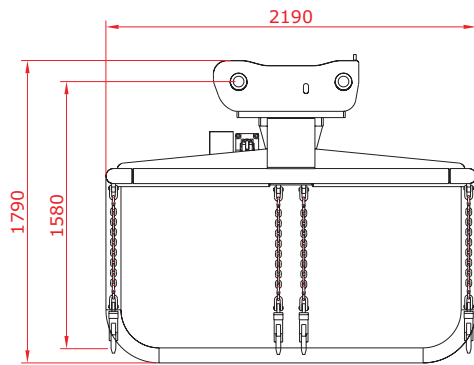


Big Bag Spreader



Mantsinen big bag spreader features automatically released hooks. No people are required to unhook the bags. The spreader is available in different configurations for four to ten bags, SWL between four and 15 tonnes. The spreader can be customised to suit different bag designs.





Type	Tare	SWL
Big Bag Spreader 620	1150 kg	6 x 1500 kg



Mantsinen Group Ltd Oy
 Välikankaantie 3
 FI-80400 Ylämylly
 FINLAND

Tel +358 20 755 1230
 Fax +358 13 252 5555
www.mantsinen.com

Your dealer: